

# ARMON AYURA



ARMON AYURA MANUAL





1. INDEX
2. OVERVIEW ARMON AYURA
3. OVERVIEW BRACE
4. OVERVIEW FOOT STANDARD
5. PLACING THE ARMON AYURA
6. MOUNTING THE BRACE
7. PLACING THE ARM IN THE BRACE
8. OPERATION
9. TAKING THE ARMON AYURA OUT
10. STORE THE ARMON AYURA
11. USAGE AND MAINTENANCE
12. CONTACT





# OVERVIEW ARMON AYURA

## Armon Ayura parts

1. Brace
2. Upper arm
3. Under arm
4. Base
5. Underframe
6. Wheelchair connection





Parts of the brace

1. Elbow support
2. Shell
3. Strap with extra shell (not present on all versions)
4. Elbow pivot point (not present on all versions)
5. Auxiliary spring (not present on all versions)
6. Hook with clip
7. Wrist support (not present on all versions)

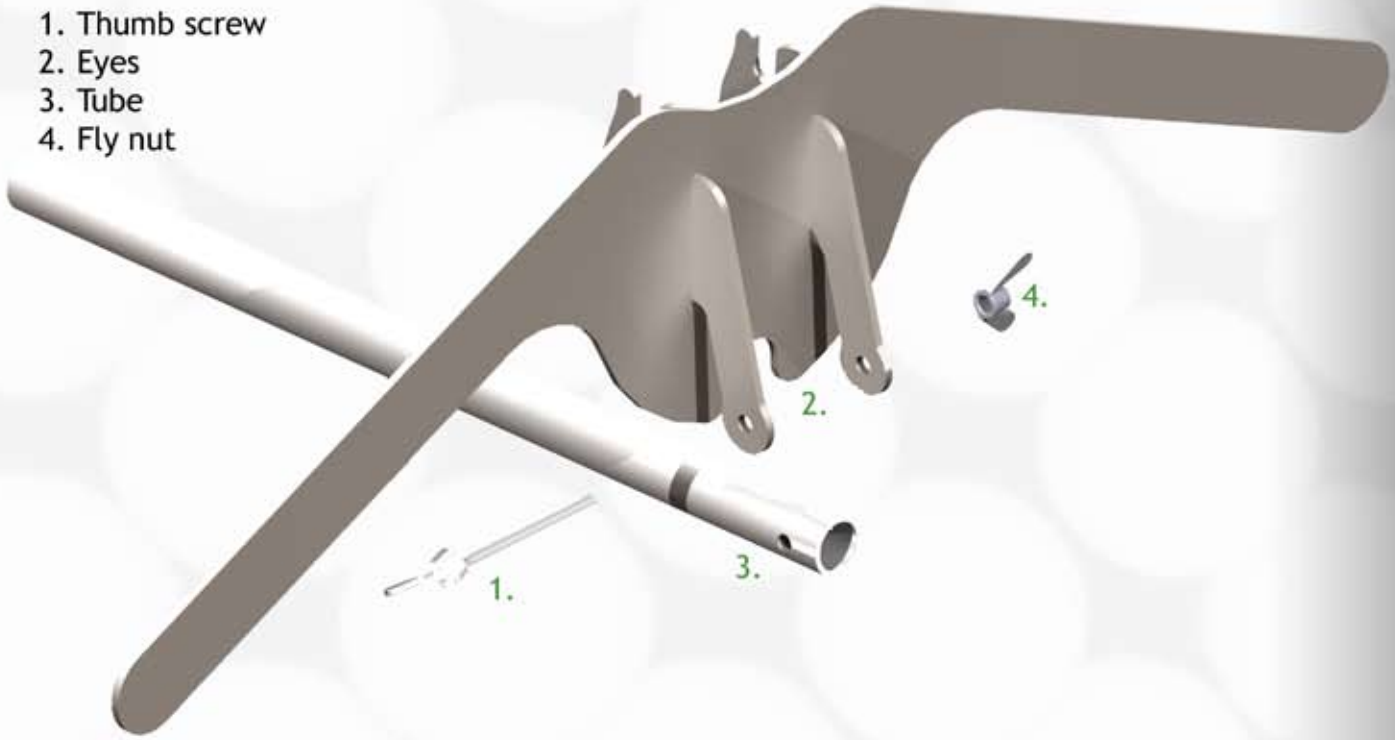




# OVERVIEW FOOT STANDARD

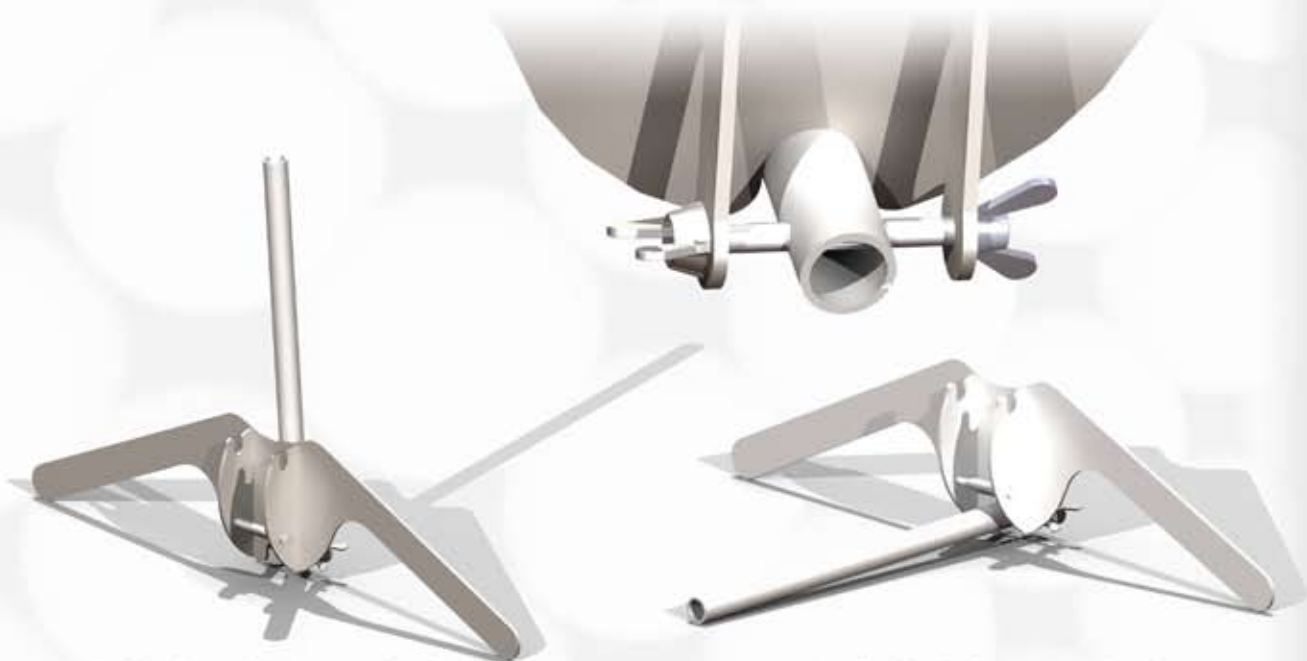
## Parts of the foot standard

1. Thumb screw
2. Eyes
3. Tube
4. Fly nut



## Assemble the foot standard.

Put the thumb screw through both the eyes and through the tube while the tube is placed in between the eyes. Place the fly nut on top of the thumb screw and screw this firmly down, but do not over tighten, there will remain a space between the eyes and the tube.



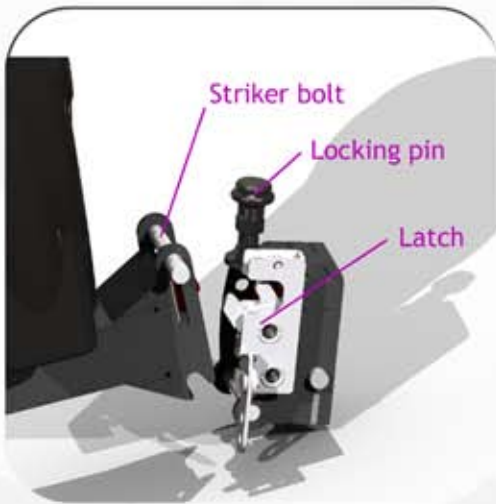
Folded up foot standard;  
more compact to stow it away

Unfolded foot standard;  
used as foot standard to place the Ayura on.





## PLACING THE ARMON AYURA



Placing the Armon Ayura in the wheelchair connection.



Make sure the latch is open. Hook the rotatable underframe of the Armon Ayura on the horizontal axis in the wheelchair connection. Be alert that both hooks fall within the wheelchair connection.



Pull the locking pin so the striker bolt can pass.



Push the Armon Ayura in the lock. The striker bolt clicks in the latch and behind the locking pin.





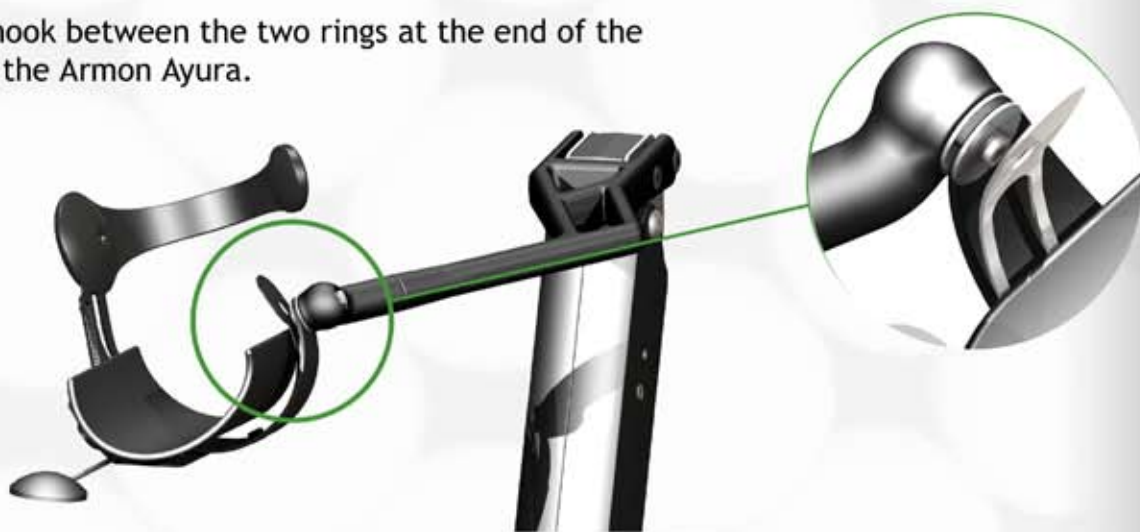
# MOUNTING THE ARMON AYURA BRACE

Mounting the brace on the Armon Ayura.

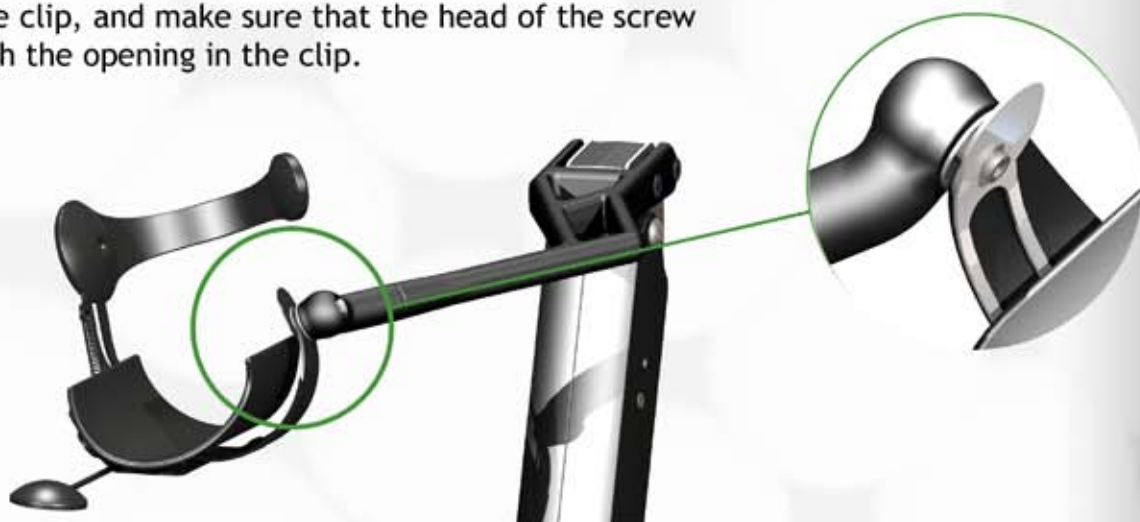
1: Bend the clip inwards so the hook comes free.



2: Place the hook between the two rings at the end of the upper arm of the Armon Ayura.



3: Release the clip, and make sure that the head of the screw comes through the opening in the clip.





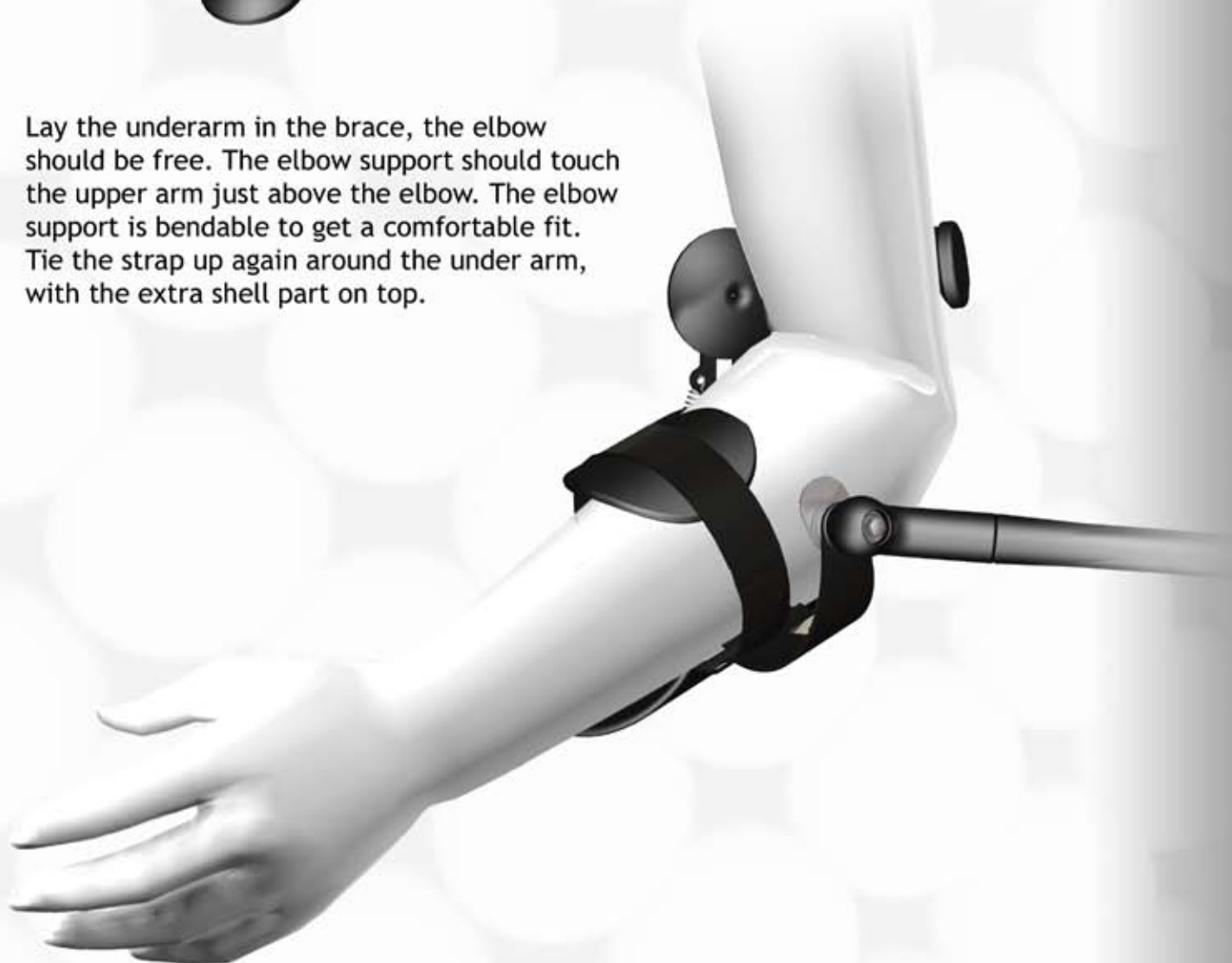
# PLACING THE ARM IN THE BRACE

Placing the arm in the brace.

Untie the strap (if present).



Lay the underarm in the brace, the elbow should be free. The elbow support should touch the upper arm just above the elbow. The elbow support is bendable to get a comfortable fit. Tie the strap up again around the under arm, with the extra shell part on top.



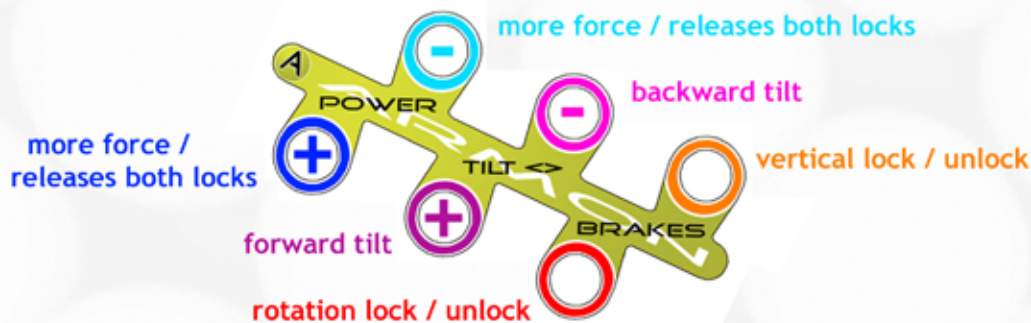
PLACING THE ARM IN THE BRACE







The Armon Ayura is controlled by the interface or an integrated controller on the wheelchair. The interface can activate all the functions of the Armon Ayura according to the scheme below:



The (blue) power buttons control the amount of compensation force (stepless) which lifts the arm.\*

The (pink/purple) tilt buttons control the vertical position of the complete Armon Ayura. The pink tilt button tilts the Armon Ayura backwards, to move the arm to the back easier. The purple tilt button tilts the Armon Ayura forwards resulting in a better reach.

The (red/orange) brake buttons block and release the freedom of movement.\*\*

The rotation lock (red) blocks the rotation in the point of suspension.

The vertical lock (orange) blocks the combined vertical/horizontal freedom of movement.

To release the vertical lock the button should be pushed for minimal 2 seconds.

If the vertical lock is activated the weight adjustment cannot be used directly.

Push the power buttons for more than 2 seconds and both locks will be released again before the force will be adjusted.



\* With the (blue) power buttons the compensation force is adjusted. At the end of the range the buzzing tone of the motor becomes louder, this indicates that the force cannot be adjusted any further, only the other way around.

\*\* The locks are like a tothing that interlock. However it may occur that this does not happen directly. In that case a slight movement of the arm in the Armon Ayura is enough to let the tothing interlock. Therefore, the lock activation time is 3 seconds.

**Notice: activating or releasing the lock frequently in a short time - especially the vertical/horizontal lock - can cause overheating of the components, this should be avoided at all times.**



## TAKING THE ARMON AYURA OUT



Take the Armon Ayura out of the wheelchair connection.

Pull the black locking pin.



The Armon Ayura falls a bit outwards of the latch.



Pull the handle of the locking device. Notice, the Armon Ayura is now loose and can fall out of the wheelchair connection, use two hands to avoid this!



The Armon Ayura can now be taken out of the wheelchair connection.

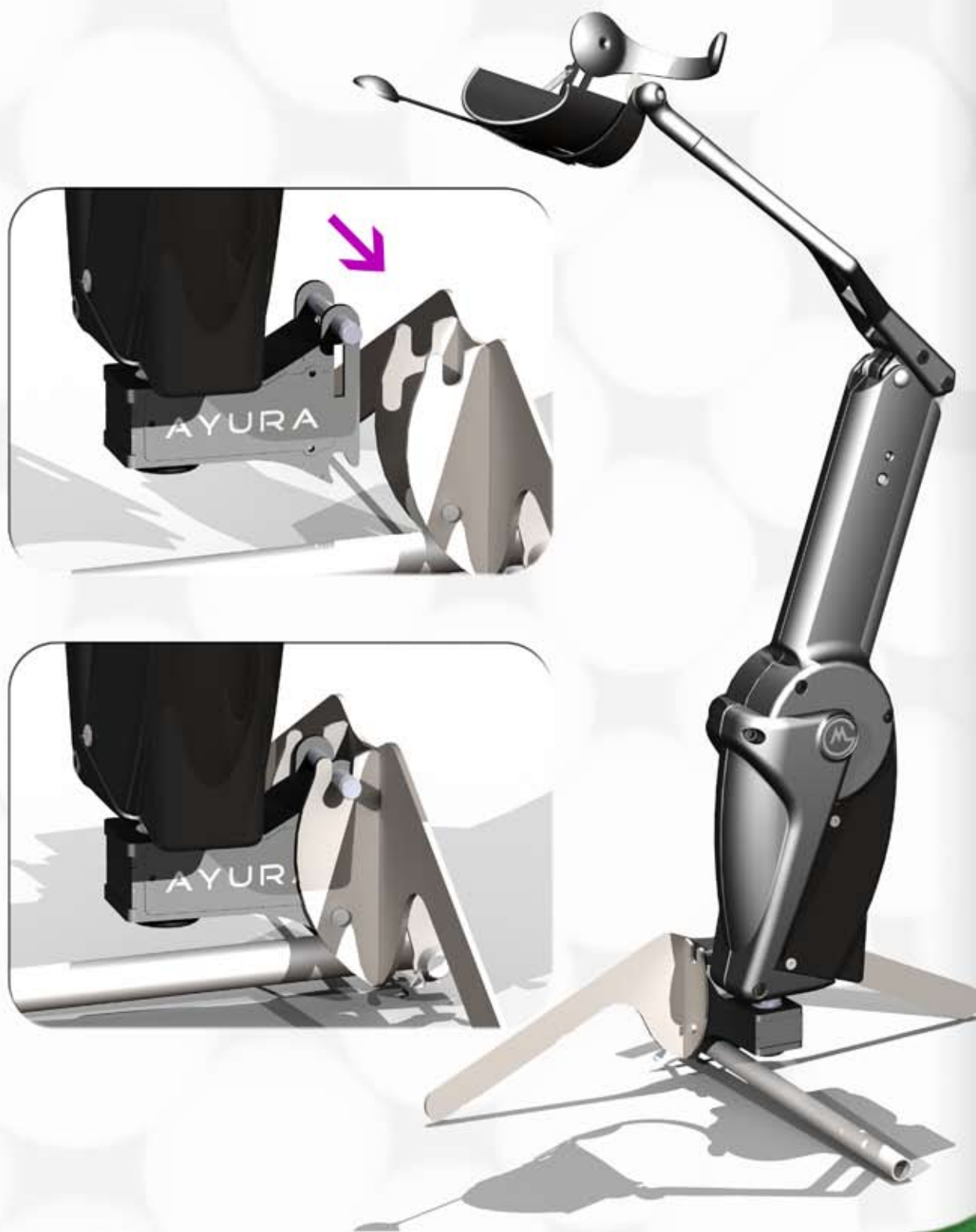




## STORE THE ARMON AYURA

The Armon Ayura comes with a foot standard (see page 4) to place the Armon Ayura in an upright position, if it is temporarily not needed on the wheelchair. Placing goes the same as in the wheelchair connection (see page 5), except the Armon Ayura is not locked in the standard.

The rotating underframe falls over the axis in the foot standard, and the striker bolt of the underframe falls in the opening at the top. The brace can remain fastened to the Armon Ayura.



STORE THE ARMON AYURA





## Usage

During transport separate from the wheelchair, the Armon Ayura should not be locked. This applies for both the vertical as the rotation lock. Notice: if the arm of the user is not in the brace when the vertical lock is released, the upper arm of the Armon Ayura can suddenly shoot upwards. This should be avoided at all times to prevent damage to the product or to persons.

## Cleaning

The Armon Ayura, the brace and the interface can be cleaned with a wet cloth. The Armon Ayura is splash-proof, the interface and the brace are waterproof. When cleaning do not use any chemicals or solvents.





The Armon Ayura is a product of Microgravity Products, Microgravity Products pays the greatest attention to the development and manufacturing of high-quality products. Accuracy, operation, finishing and quality are continually inspected. Despite this, if you encounter complaints or problems with your product, do not hesitate to contact us. You can contact us:

### Microgravity Products BV

Kiotoweg 739  
3047 BG Rotterdam  
The Netherlands  
T 0031 10 4714187  
F 0031 10 4718749

E [info@armonproducts.com](mailto:info@armonproducts.com)



The Armon Ayura is a product of Microgravity Products.  
Do you want to stay updated on the latest developments?  
Subscribe to our newsletter on: [www.armonproducts.com](http://www.armonproducts.com)